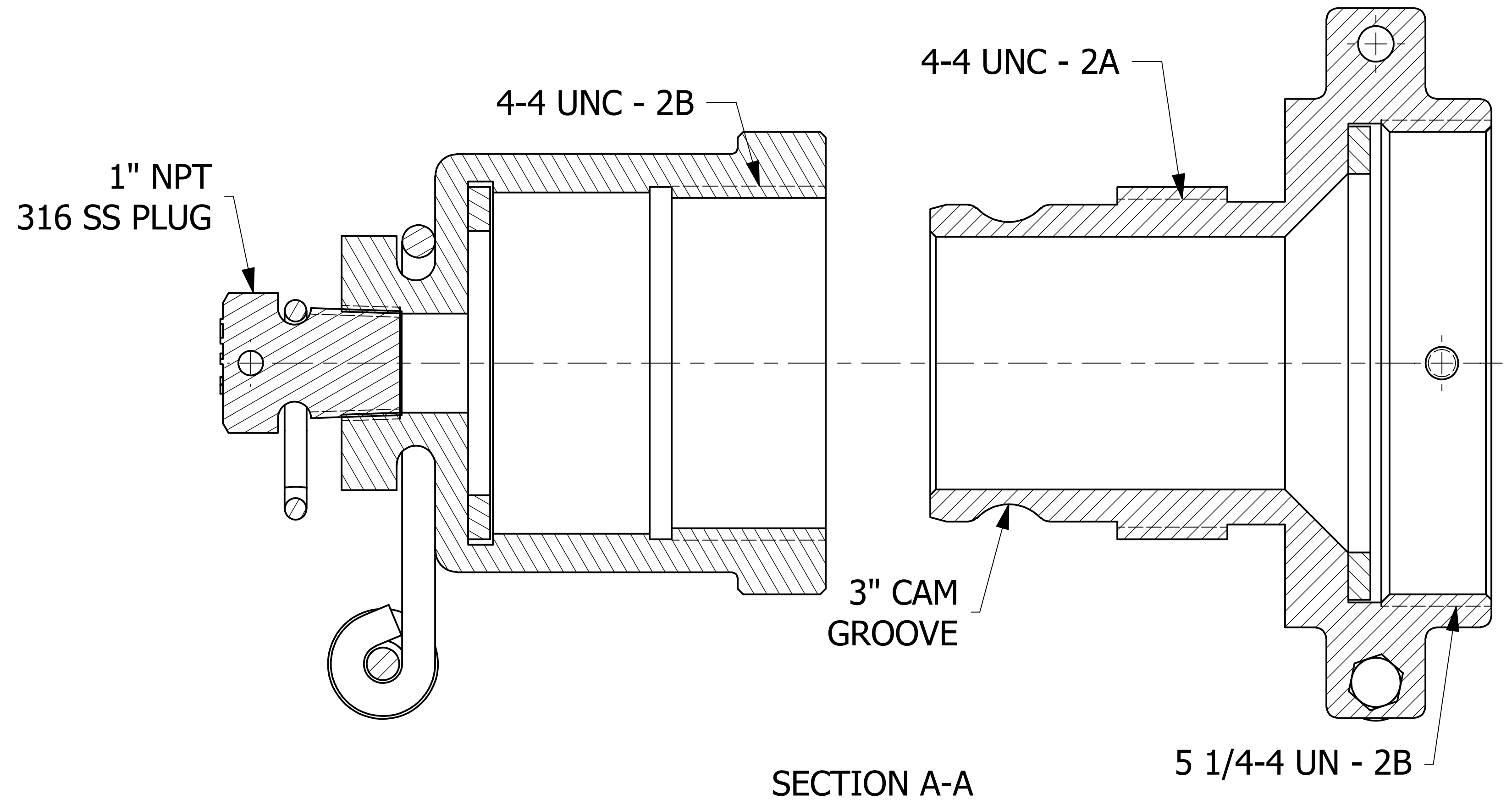
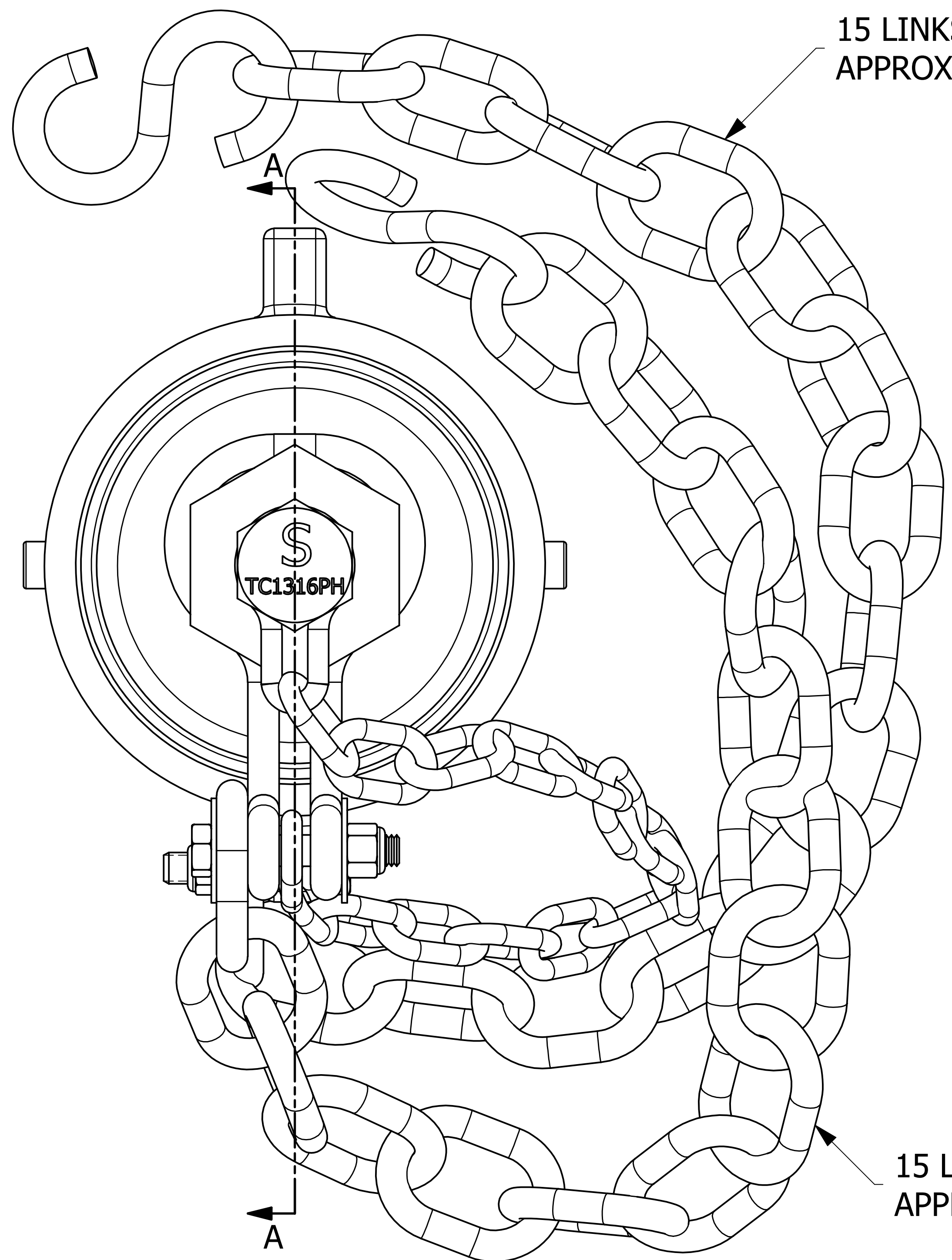


SALES DRAWING SALES DRAWING

SALES DRAWING SALES DRAWING



- NOTES:
1. UNLOADING ASSEMBLY IS DOT AND AAR APPROVED.
 2. AAR APPROVAL # IS E-149523.
 3. SET SCREWS SECURE ADAPTER WHEN CAP IS REMOVED.
 4. APPROXIMATE HEIGHT IS 9 1/2".
 5. GASKETS ARE BLACK VITON B.
 6. CAP MATERIAL: 416 SS.
 7. ADAPTER MATERIAL: 316 SS.
 8. 5 1/4-4 UN - 2B THREADS CONFORM TO FIGURE E18 OF THE AAR TANK CAR MANUAL.

THIS PRINT, PROPERTY OF SALCO PRODUCTS INC. CONTAINS PROPRIETARY INFORMATION AND MUST NOT BE COPIED, REPRODUCED, OR USED DETRIMENTALLY TO OUR INTEREST.

UNLESS OTHERWISE SPECIFIED DIMENSIONAL TOLERANCES FRACTIONAL: ±1/16 X.XX: ±.03 X.XXX: ±.015 ANGULAR: ±1° DEBURR ALL SHARP EDGES. ALL MACHINED SURFACES TO HAVE A 125 RMS FINISH UNLESS NOTED OTHERWISE. THIRD ANGLE PROJECTION	DRAWN BY:	JG
	CHECKED BY:	CHL
	PROTOTYPE BY:	JG
	PROTOTYPE DATE:	1/22/2015
	APPROVED FOR PRODUCTION BY:	CHL
	PRODUCTION DATE:	2/25/2015

B	RJP	5-11-16	UPDATED TE3S416DC7A GEOMETRY
A	JG	2-25-15	RELEASED FOR PRODUCTION
REV	BY	DATE	DESCRIPTION
SALCO PRODUCTS, INC.			
PART NAME: QUICK CONNECT 4" X 3" THREAD ON			
MATERIAL: SEE NOTE			
PROJECT #:	R150121	SHEET #:	1 OF 1
DRAWING #:	D40702	PART #:	TE3S416SU7A
		SCALE:	1:1